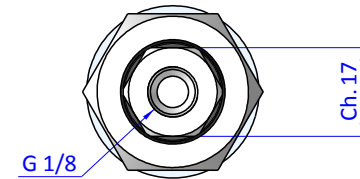
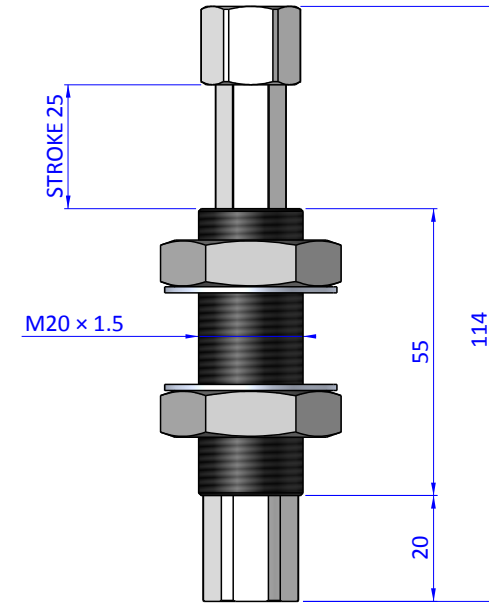
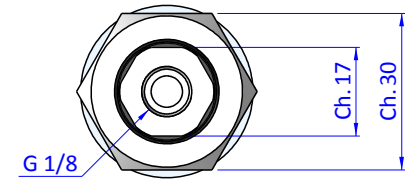
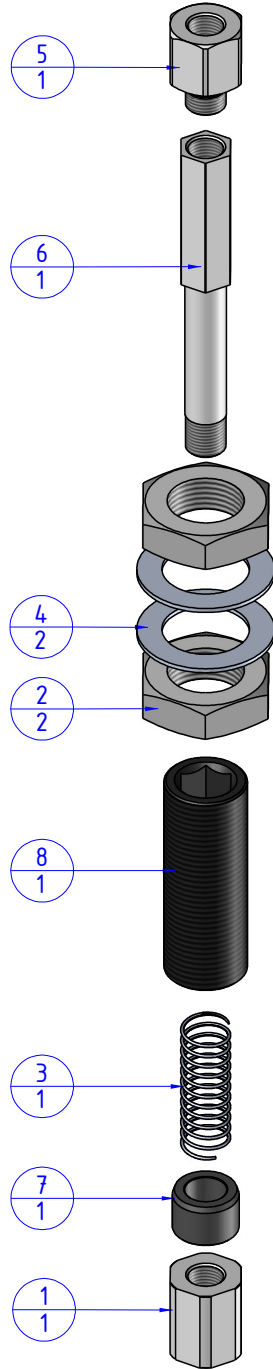


THE PROPERTY OF THE DRAWING IS ESTABLISHED BY LAW. IT IS FORBIDDEN TO PRODUCE OR SHOW IT TO THIRD PARTY, WITHOUT A WRITTEN AGREEMENT.

Object Number	Name	QTY
1	VSN.20.1	1
2	05.02.001.06	2
3	M.12X39.50	1
4	R.20.SCH	2
5	VSN.20.2	1
6	VSN.2025.4	1
7	VSN.2025.3	1
8	VSNG.2025.2.1	1



Format A3

UNI 936-76

		DESIGNED FROM	REVIEW
		FPS Automation	A
GENERAL TOLERANCE	DESCRIPTION	DATE	WEIGHT
UNI - ISO 2768		25/07/2019	0,096kg
CLASSE f		CODE	CA.SDNG.2025
		CA.SDNG.2025	